



Gear-Driven Slicer
Model MS-IT-0330-N
Item 39477
Instruction Manual



Revised - 10/13/2021



Toll Free: 1-800-465-0234
Fax: 905-607-0234
Email: service@omcan.com
www.omcan.com

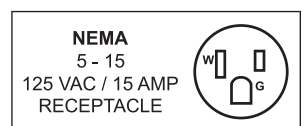


Table of Contents

Model MS-IT-0330-N

Section	Page
General Information -----	3 - 4
Safety and Warranty -----	4 - 5
Technical Specifications -----	6
Installation -----	6 - 7
Operation -----	7 - 8
Maintenance -----	8 - 11
Troubleshooting -----	11
Parts Breakdown -----	12 - 24
Electrical Schematics -----	25
Notes -----	26
Warranty Registration -----	27



General Information

Omcan Manufacturing and Distributing Company Inc., Food Machinery of America, Inc. dba Omcan and Omcan Inc. are not responsible for any harm or injury caused due to any person's improper or negligent use of this equipment. The product shall only be operated by someone over the age of 18, of sound mind, and not under the influence of any drugs or alcohol, who has been trained in the correct operation of this machine, and is wearing authorized, proper safety clothing. Any modification to the machine voids any warranty, and may cause harm to individuals using the machine or in the vicinity of the machine while in operation.

CHECK PACKAGE UPON ARRIVAL

Upon receipt of an Omcan shipment please inspect for external damage. If no damage is evident on the external packaging, open carton to ensure all ordered items are within the box, and there is no concealed damage to the machine. If the package has suffered rough handling, bumps or damage (visible or concealed), please note it on the bill of lading before accepting the delivery and contact Omcan within 24 hours, so we may initiate a claim with the carrier. A detailed report on the extent of the damage caused to the machine must be filled out within three days, from the delivery date shown in the shipping documents. Omcan has no recourse for damaged products that were shipped collect or third party.

Before operating any equipment, always read and familiarize yourself with all operation and safety instructions.

Omcan would like to thank you for purchasing this machine. It's of the utmost importance to save these instructions for future reference. Also save the original box and packaging for shipping the equipment if servicing or returning of the machine is required.

Omcan Fabrication et distribution Compagnie Limitée et Food Machinery d'Amérique, dba Omcan et Omcan Inc. ne sont pas responsables de tout dommage ou blessure causé du fait que toute personne ait utilisé cet équipement de façon irrégulière. Le produit ne doit être exploité que par quelqu'un de plus de 18 ans, sain d'esprit, et pas sous l'influence d'une drogue ou d'alcool, qui a été formé pour utiliser cette machine correctement, et est vêtu de vêtements de sécurité appropriés. Toute modification de la machine annule toute garantie, et peut causer un préjudice à des personnes utilisant la machine ou des personnes à proximité de la machine pendant son fonctionnement.

VÉRIFIEZ LE COLIS DÈS RÉCEPTION

Dès réception d'une expédition d'Omcan veuillez inspecter pour dommages externes. Si aucun dommage n'est visible sur l'emballage externe, ouvrez le carton afin de s'assurer que tous les éléments commandés sont dans la boîte, et il n'y a aucun dommage dissimulé à la machine. Si le colis n'a subi aucune mauvaises manipulations, de bosses ou de dommages (visible ou cachée), notez-le sur le bond de livraison avant d'accepter la livraison et contactez Omcan dans les 24 heures qui suivent, pour que nous puissions engager une réclamation auprès du transporteur. Un rapport détaillé sur l'étendue des dommages causés à la machine doit être rempli dans un délai de trois jours, à compter de la date de livraison indiquée dans les documents d'expédition. Omcan n'a aucun droit de recours pour les produits endommagés qui ont été expédiés ou cueilli par un tiers transporteur.

General Information

Avant d'utiliser n'importe quel équipement, toujours lire et vous familiariser avec toutes les opérations et les consignes de sécurité.

Omcan voudrais vous remercier d'avoir choisi cette machine. Il est primordial de conserver ces instructions pour une référence ultérieure. Également conservez la boîte originale et l'emballage pour l'expédition de l'équipement si l'entretien ou le retour de la machine est nécessaire.

Omcan Empresa De Fabricacion Y Distribucion Inc. Y Maquinaria De Alimentos De America, Inc. dba Omcan y Omcan Inc. no son responsables de ningun daño o perjuicio causado por cualquier persona inadecuada o el uso descuidado de este equipo. El producto solo podra ser operado por una persona mayor de 18 años, en su sano juicio y no bajo alguna influencia de droga o alcohol, y que este ha sido entrenado en el correcto funcionamiento de esta máquina, y ésta usando ropa apropiada y autorizada. Cualquier modificación a la máquina anula la garantía y puede causar daños a las personas usando la máquina mientras esta en el funcionamiento.

REVISE EL PAQUETE A SU LLEGADA

Tras la recepcion de un envio Omcan favor inspeccionar daños externos. Si no hay daños evidentes en el empaque exterior, Habra el carton para asegurarse que todos los articulos solicitados estén dentro de la caja y no encuentre daños ocultos en la máquina. Si el paquete ha sufrido un manejo de poco cuidado, golpes o daños (visible o oculto) por favor anote en la factura antes de aceptar la entrega y contacte Omcan dentro de las 24 horas, de modo que podamos iniciar una reclamación con la compañía. Un informe detallado sobre los daños causados a la máquina debe ser llenado en el plazo de tres días, desde la fecha de entrega que se muestra en los documentos de envío. Omcan no tiene ningun recurso por productos dañados que se enviaron a recoger por terceros.

Antes de utilizar cualquier equipo, siempre leer y familiarizarse con todas las instrucciones de operación y seguridad.

Omcan quisiera darles las gracias por la compra de esta máquina. Es de la máxima importancia para guardar estas instrucciones para referencias en el futuro. También guarde la caja original y el embalaje para envío del equipo si el mantenimiento o la devolución de la máquina es necesaria.

Safety and Warranty

MECHANICAL SAFETY DEVICES

The slicer is manufactured according to the EEC 2006/42 Machinery Directive.

The mechanical safety devices are the following:

- Product holder removable only with the slice thickness control on zero (slice thickness plate positioned to protect the blade). After removing the product holder the slice thickness plate is mechanically clamped.

Safety and Warranty

- Protection devices mounted on the product holder to prevent the operator from any accidental contact with the blade.
- Blade guard. This fixed ring protects that part of the blade which is not used for the cutting operation.
- A special mechanical safety device to sharpen the blade keeping the fingers of the operator away from the cutting edge of the blade.

ELECTRICAL SAFETY DEVICES

The electrical safety devices in accordance with the EN 60204 standards are the following:

- Start and stop push buttons.
- Control circuit provided with electric servo-control; in any case of blade clamping the machine must be restarted manually.
- Safety device to stop the rotation of the blade if the clamping handle of the blade guard is released.

WARNING

When the machine is not used:

- Make sure that it is off.
- Re-position the slice thickness control to zero.

Do not remove the labels placed on the machine and replace them if damaged.

RESIDENTIAL USERS: Vendor assumes no liability for parts or labor coverage for component failure or other damages resulting from installation in non-commercial or residential applications. The right is reserved to deny shipment for residential usage; if this occurs, you will be notified as soon as possible.

1 YEAR PARTS AND LABOUR WARRANTY

Within the warranty period, contact Omcan Inc. at 1-800-465-0234 to schedule an Omcan authorized service technician to repair the equipment locally.

Unauthorized maintenance will void the warranty. Warranty covers electrical and part failures, not improper use.

Please see <https://omcan.com/disclaimer> for complete info.


WARNING:

The packaging components are classified as normal solid urban waste and can therefore be disposed of without difficulty.

In any case, for suitable recycling, we suggest disposing of the products separately (differentiated waste) according to the current norms.

DO NOT DISCARD ANY PACKAGING MATERIALS IN THE ENVIRONMENT!

Technical Specifications

Model	MS-IT-0330-N
Blade	13" / 330mm
Power	0.6 HP / 0.45 kW
Cheese Slicing	
Slicing Volume	8 hours or more
Slicing Capacity	10.2" x 6.7" / 259 x 170mm 9.25" / 235mm (Dia.)
Cut Thickness	0 - 0.55" / 0 - 14mm
RPM	240
Electrical	120V / 60Hz / 1
Weight	130 lbs. / 59 kgs.
Packaging Weight	163 lbs. / 74 kgs.
Packaging Dimensions	36.2" x 33.8" x 32.7" / 920 x 859 x 831mm
Item Number	39477

**Results may vary due to product consistency and temperature*

Installation

The slicer must be mounted horizontally on a stable, robust and antiskid base adequate to support its weight. The suggested height of the working table is of about 800 mm. It must be checked that the product holder is not clamped and the product to be cut can be easily loaded.

WARNING: To prevent the risk of crushing hazard, locate the machine in a manner that allows a clear space between the moving table and any permanent structure.

PRELIMINARY CLEANING

Before connecting the plug clean off the protective oil from the machine.

WARNING

The working table must always be cleaned.

ELECTRICAL SUPPLY

The machine must be installed in the proximity of a mains socket. Check that the power supply voltage corresponds to that described on the information label and that it is connected to an adequate earth.

1. Connect the plug.
2. Check that the blade cover fastener handle is tight screwed.
3. Check that the blade sharpener is lowered and the protective cover is closed.

Installation

MANUAL FUNCTIONING

1. Press push button blade start.
2. See manual functioning.
3. Press pushbutton carriage start.

SLICER FUNCTIONING AND USE

The following products can be sliced: sausages, ham, cheese, bread. If large quantities of bread or cheese are usually cut it is advisable to mount a teflon coating.

WARNING

The following cannot be sliced:

- Not-eatable products.
- Foodstuffs with bones.
- Frozen products.

AUTOMATIC FUNCTIONING

Rotate the carriage release handle in a counterclockwise direction by 180°. With the automatic functioning it is possible to change the cut stroke length to adapt it to the dimensions of the product to be cut. Rotate the product holder stroke adjustment knob respectively in a clockwise or counterclockwise direction to lengthen or shorten the product holder stroke. Irrespective of the selected stroke, the product holder always stops in product load position (operator's side) by pressing the product holder stop push button. The machine is supplied with two self-contained motors: one for the blade and another for the product holder to better adjust its stroke. By separating the two functions a more precise cut can be obtained.

MANUAL FUNCTIONING

Rotate the product holder release handle in a clockwise direction by 180°.

Operation

HOW TO LOAD THE PRODUCT TO BE CUT

1. Check that the slicer is off and position the slice thickness control to zero.
2. Push the product holder towards the operator.
3. Lift and rotate the product pusher: the pusher can fall back, this is normal.
4. Place the product to be cut against the wall of the product holder and the slice thickness plate.
5. Position the product pusher on the product to be cut far from the slice thickness plate. The product is fed to the slice thickness plate by gravity making the cut easier.
6. Rotate the slice thickness control to the thickness desired.

AUTOMATIC FUNCTIONING

1. Rotate the carriage release handle in a counterclockwise direction by 180°.

Operation

2. Press push button start blade.
3. Press push button start the product holder.
4. To select the most suitable carriage stroke according to the dimensions of the product to be cut, rotate the carriage stroke adjustment knob respectively in a clockwise or counterclockwise direction to lengthen or shorten the stroke.

DANGER

Do not touch the carriage or the product holder when the machine is working.

After completing the cutting operation, press push button stop the product holder. The blade remains in operation whereas the product holder is fed to the stroke end where it stops towards the operator ready to start a new cutting cycle.

By pressing push button stop the blade, the product holder stops in its working position.

MANUAL FUNCTIONING

1. Rotate the carriage release handle in a clockwise direction by 180°.
2. Press push button to start the blade.
3. With constant speed, according to the product to be sliced features, you can push the product holder tray to its end stroke in blade direction. You can then return in the operator position and repeat this operation.

After cutting the product, reposition the product holder towards the operator. By pressing push button stop blade the rotation of the blade stops. Re-position the slice thickness control to zero and unload the product.

Maintenance

BLADE SHARPENING

Whenever the cut is not satisfactory, sharpen the blade. The time interval between a sharpening and the following depends on the intensity of use of the slicer and on the kind of food you cut. Replace the blade when the diameter becomes 10 mm less than the nominal diameter. For the replacement, ask the assistant service closest to you.

WARNING

The replacement of the blade is dangerous operation. Should the sharpening quality be not satisfactory, replace the stones by contacting Omcan.

SHARPENING OPERATION

DANGER

The sharpening operation must be performed during the manual functioning.

Maintenance

For a correct sharpening of the blade follow these instructions:

1. Clean the blade removing any greasy residue.
2. Make sure that the machine is off.
3. Rotate the slice thickness control to zero to make sure that the blade is covered by the slice thickness plate.

IMPORTANT

During the following operations the blade must always be covered by the removable protection.

4. Lift the sharpener cover.
5. Slip off completely the sharpener and spin it 180 degrees.
6. Replace the sharpener device.
7. Push the push button blade start to start the machine.
8. Sharpening: Press the sharpening wheel for about 10-15 seconds.
Then press simultaneously also the grinding stone for two seconds.
Contemporaneously loosen the two grind stones.
The sharpening and honing take place then simultaneously.

ATTENTION: for a suitable effect please execute sharpening for 10-15" approx.

9. After sharpening press the blade stop push button.
10. Lift and rotate 180 degrees the sharpener and reallocate it into its initial position. Loosen the handle rotating it clockwise to block the sharpener. Lower the sharpener cover.

SHARPENER DEVICE REMOVAL

To facilitate the cleaning of the sharpening grinder, remove the sharpener device pulling it upwards.

WARNING

Do not immerse in water or detergent the sharpening device.

CLEANING OF THE GRINDING WHEELS

To obtain an excellent sharpening the grinding wheel must always be clean. Remove dirt and grease with rubbing alcohol and the supplied special brush. Be sure to clean and sanitize the blade after sharpening.

MAINTENANCE

All cleaning and maintenance operations must only be carried out with the machine disconnected and isolated from the mains supply and the slice thickness control on zero.

CONTROL OF THE AIR GRATING

An air grating for the motors ventilation is placed in the lower side of the machine. Keep the section-holes free and clean them with a brush at regular intervals.

Maintenance

CHECK OF THE ELECTRIC CABLE

It is recommended to check the wear of the electric cable at regular intervals.

SPARE PARTS

In the event that replacement parts need to be fitted, request only original spare parts.

CLEANING

The machine must be cleaned once a day or more frequently if necessary. Clean all the parts using a cloth sprinkled with water and washing up liquid (do not use strong detergents) and a brush.

WARNING

Do not use water jet

DANGER

During the cleaning operations take great care: danger of accident.

COMPONENTS REMOVAL

PRODUCT HOLDER

1. Loose the product holder by rotating the product holder clamping handle in a counterclockwise direction.
2. Position to zero the slice thickness control to remove the product holder.
3. Push the product holder towards the operator until it clicks. The click will inform the operator that the product holder is clamped.
4. Lift the last slice device from the guide bar.
5. Lift the product holder from the carriage.

IMPORTANT

The slice thickness control is clamped on zero.

BLADE COVER

1. Rotate the slice deflector and keep it away from the blade.
2. Loose the blade cover fastener handle by rotating it in a counterclockwise direction.
3. Push on the handle in the direction indicated by the arrow to lift the blade cover from the blade.
4. Lift the blade cover.

ATTENTION

Once removed the blade cover, an interlocking device stops the rotation of the blade.

DANGER

During the cleaning operations of the blade, pay attention to an accidental contact with it.

5. Press a damp cloth on the front side of the blade and move slowly from the center towards the edge in the

Maintenance

direction of the arrow.

6. Follow these instructions to clean the back side of the blade.
7. With a cloth dry both sides of the blade following this procedure.
8. Insert a damp cloth between the blade and the protection ring. Pull it outwards and rotate it to clean the internal side of the protection ring.
9. After cleaning re-position the blade cover, insert the fastener and screw in a clockwise direction to clamp the blade cover. Lower the sharpener protective cover.

IMPORTANT

Leave all the parts to soak in warm water and washing-up liquid (do not use strong detergents) and clean them by using a brush or a cloth. Rinse them in warm water and dry them.

To assemble the machine follow the reverse procedure as described for disassembly.

GUIDES LUBRICATION

This operation must be performed after cleaning the slicer or whenever the sliding is difficult. Use food safe oil only.

LUBRICATION OF THE GUIDE BAR OF THE LAST SLICE DEVICE

1. Drop some food grade oil on the bar.
2. Let the last slice device slide on the guide bar.

LUBRICATION OF THE GUIDE BAR OF THE PRODUCT HOLDER CARRIAGE

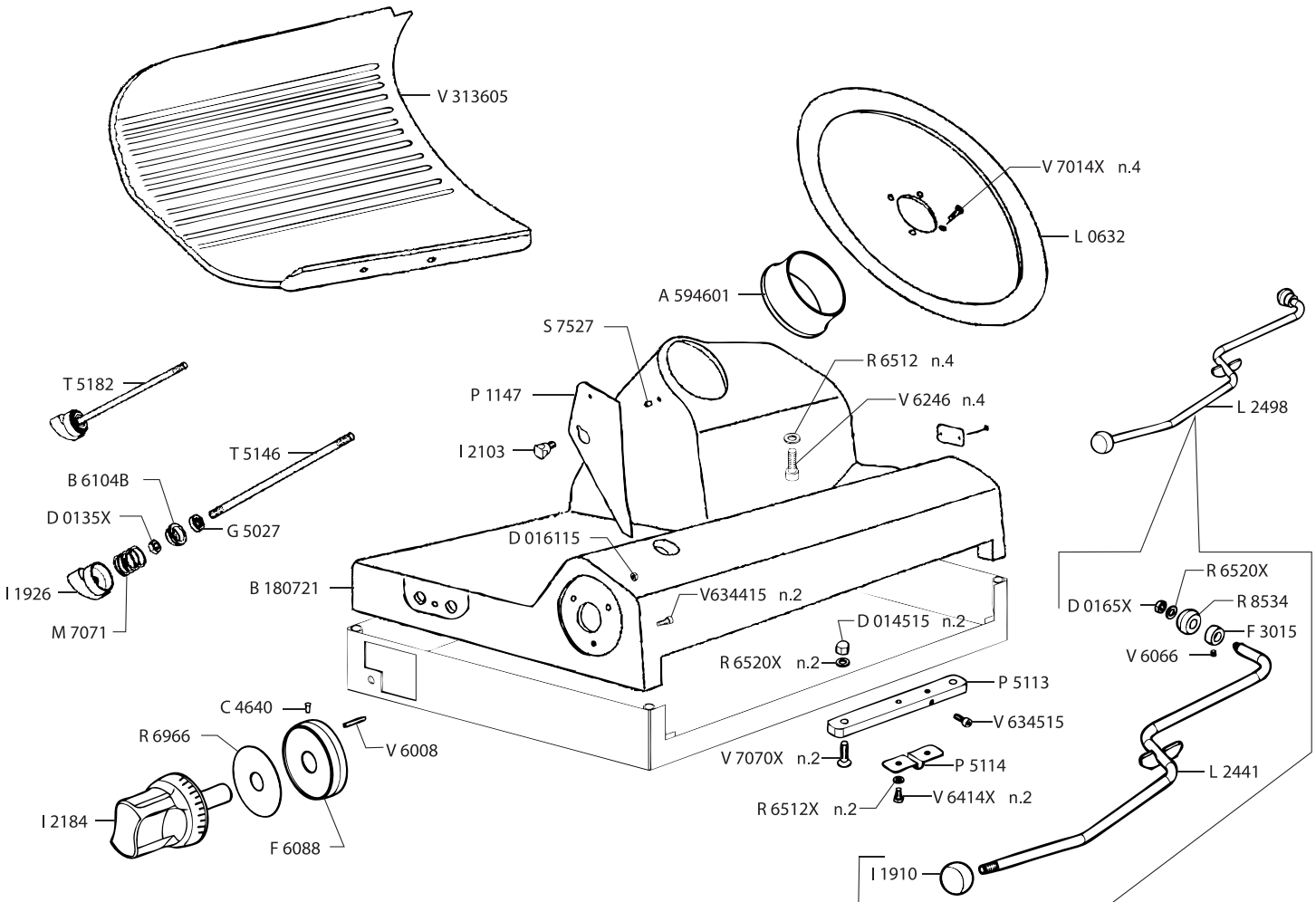
1. Push the product holder towards the operator.
2. Pour the food grade oil into the special carriage bar lubricator.
3. Push the product holder to and from and repeat the operation. Re-position it towards the operator.

Troubleshooting

PROBLEM	CORRECTIVE ACTION
The machine vibrates, overheats and emits a foul smell.	Stop it immediately and check that the voltage corresponds to that described on the rating label.
The blade cannot be sharpened any longer. The sharpening is no regular.	Clean the grinding wheels of the sharpener and check the wear of the blade.
On pushing the start push button the machine does not start.	Check if power missing. Check the safety devices.
The carriage and the last slice device run with difficulty.	Lubricate the guide bars.

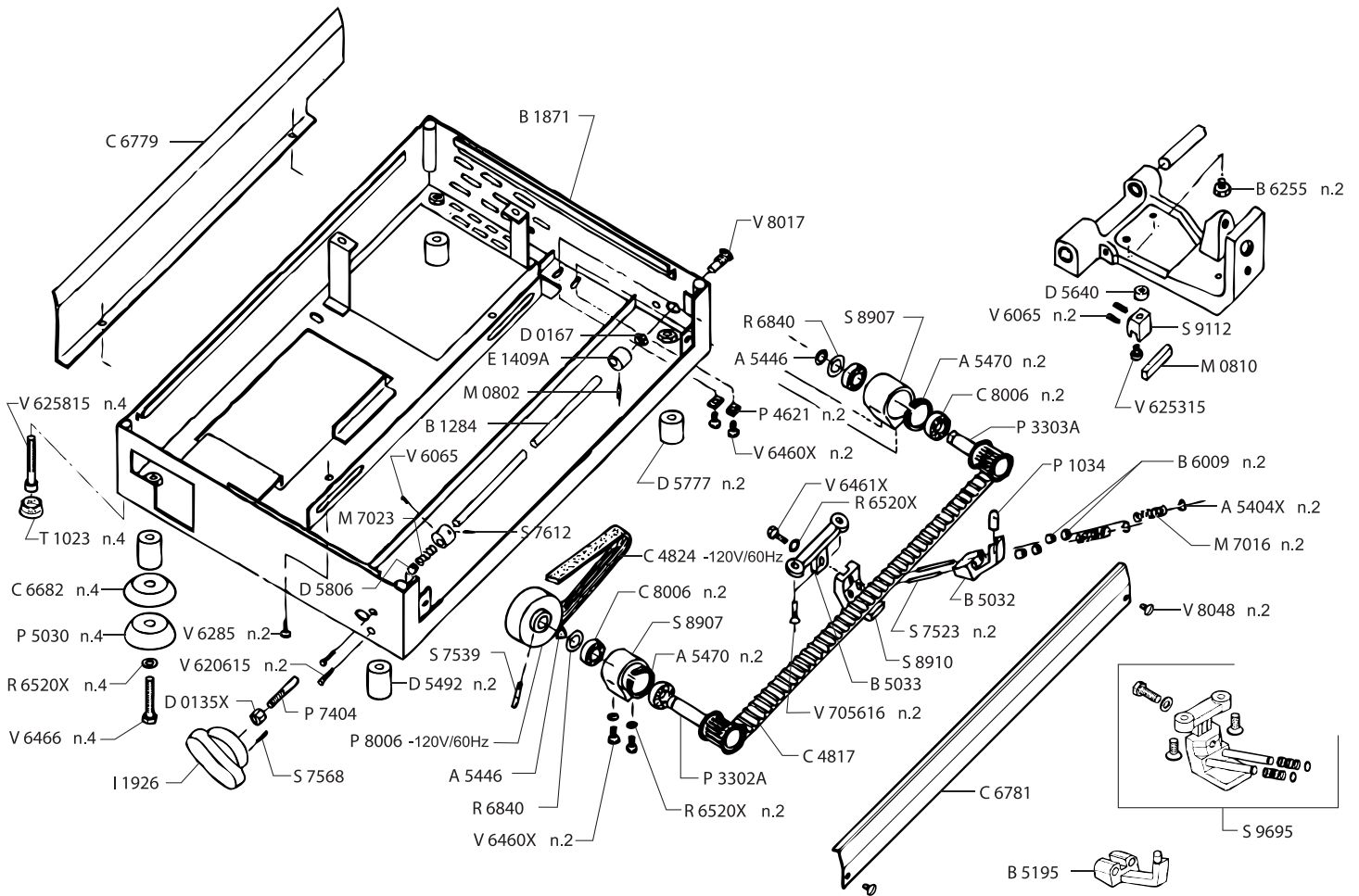
Parts Breakdown

Model MS-IT-0330-N 39477



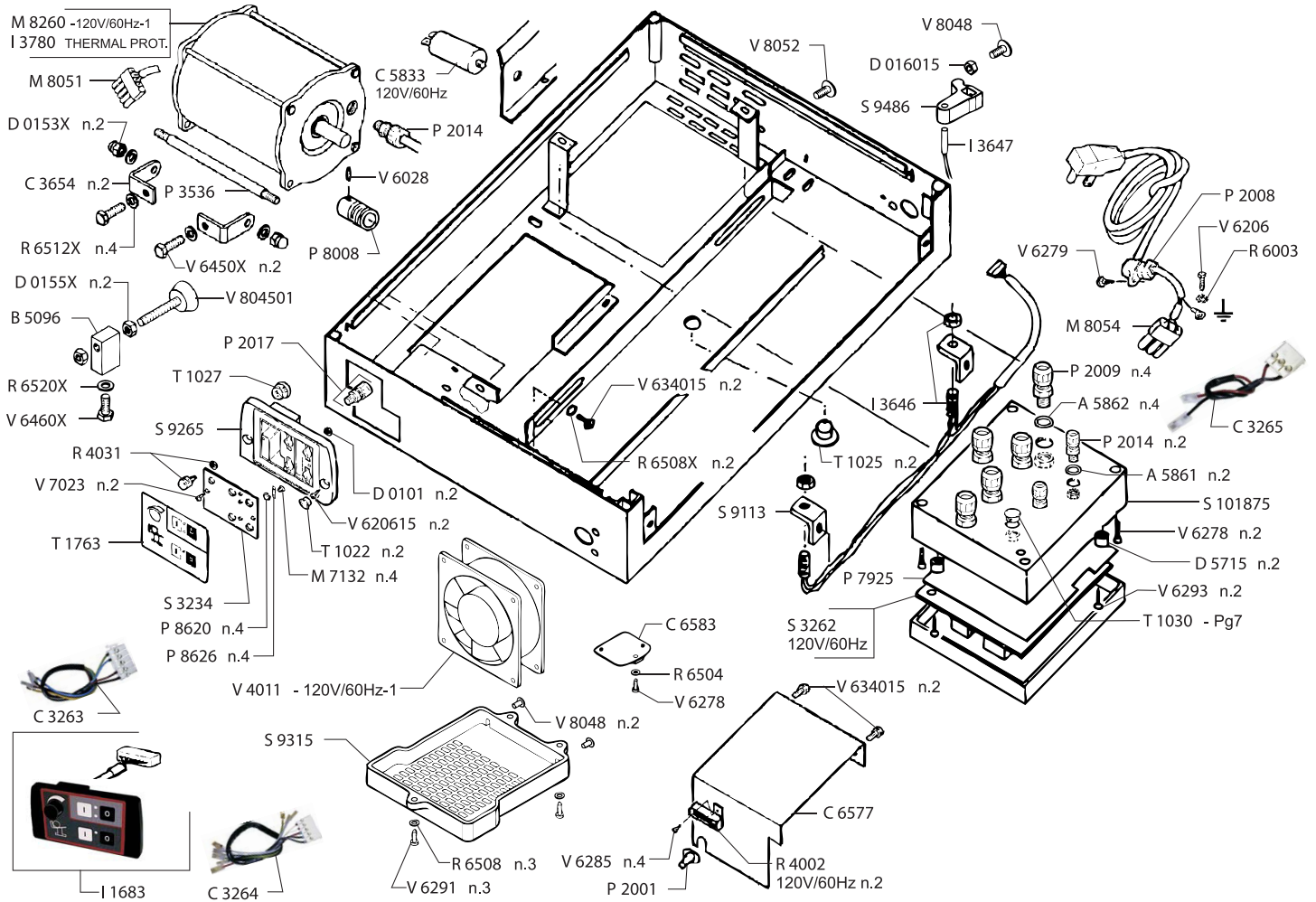
Parts Breakdown

Model MS-IT-0330-N 39477



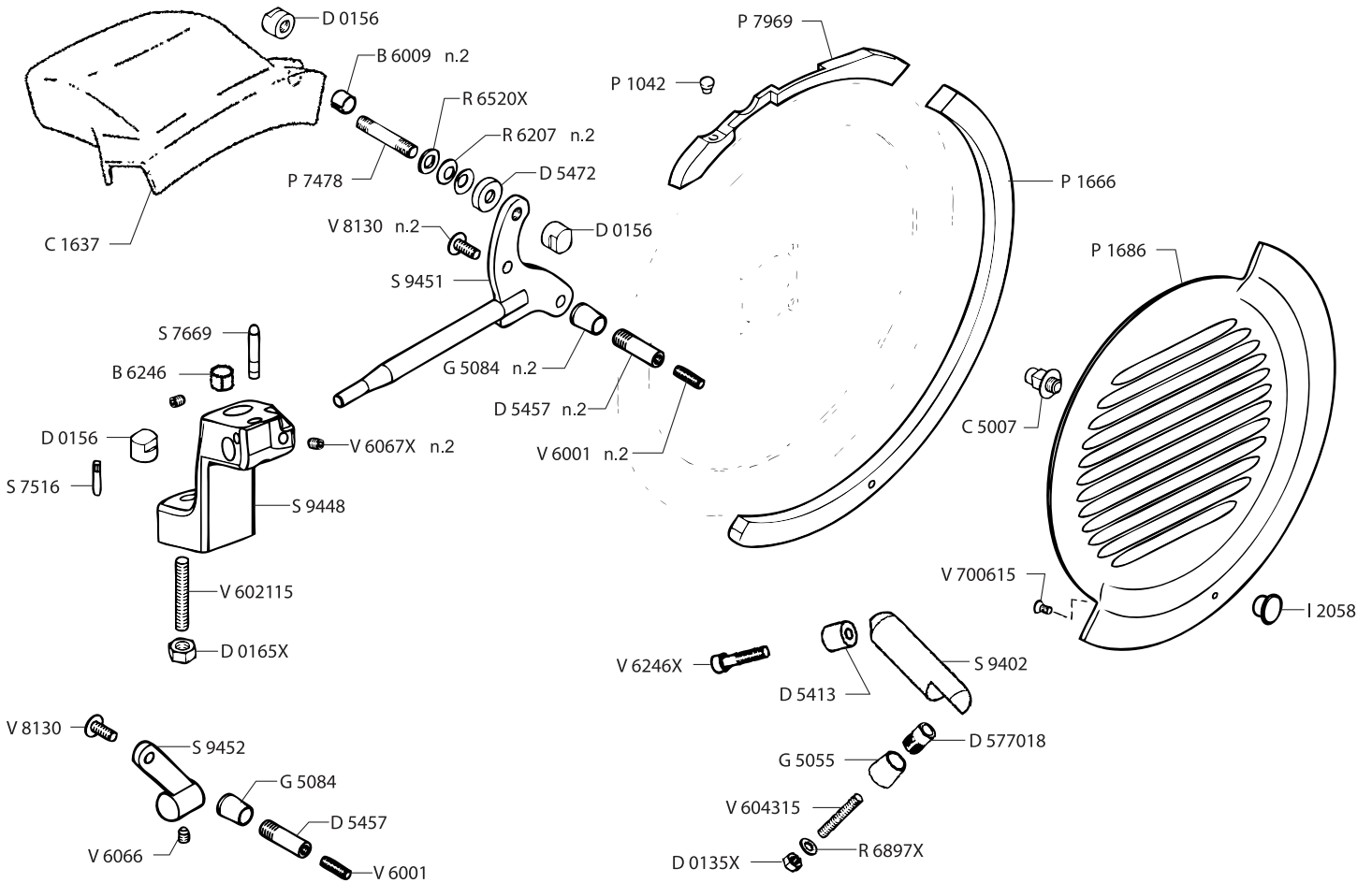
Parts Breakdown

Model MS-IT-0330-N 39477



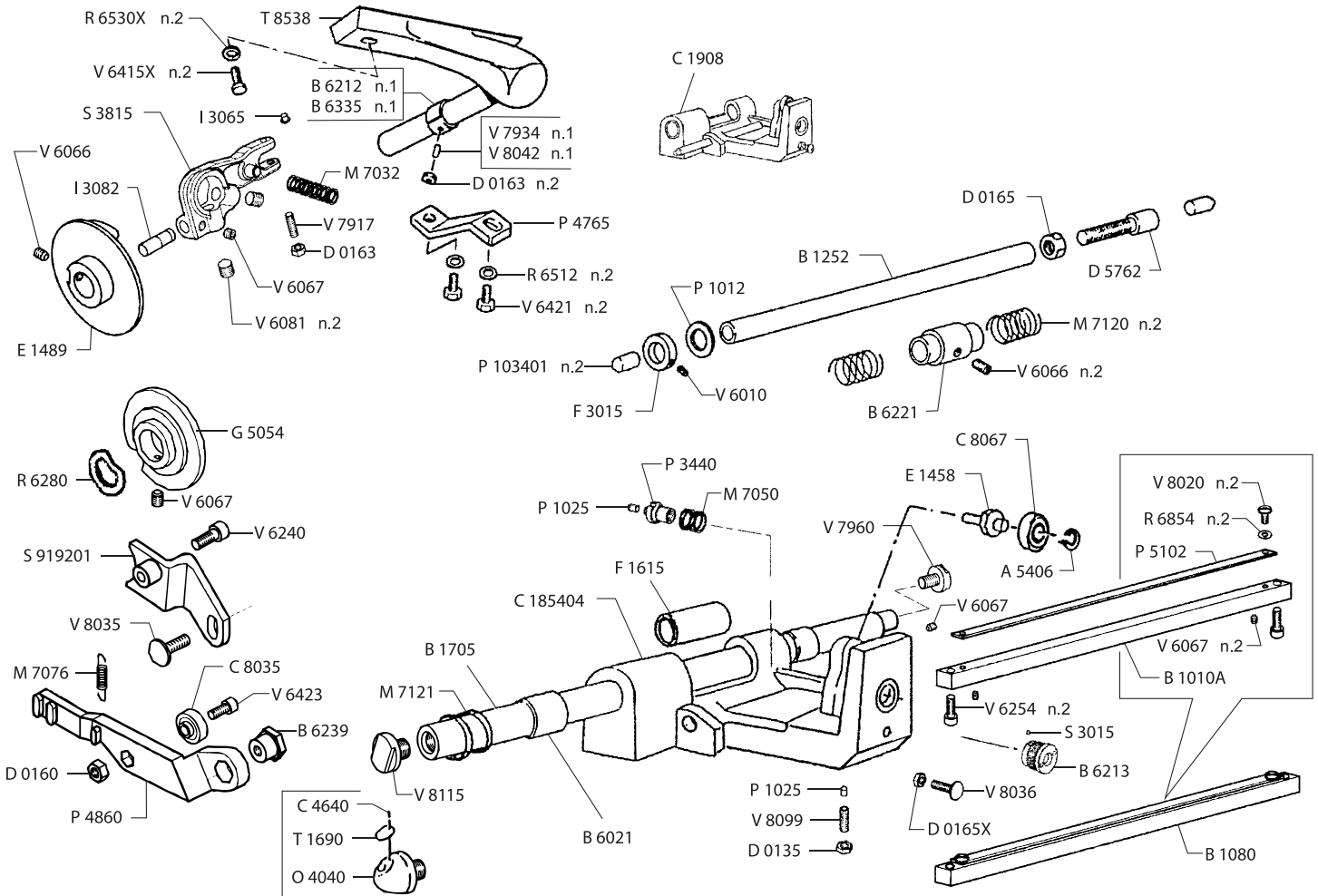
Parts Breakdown

Model MS-IT-0330-N 39477



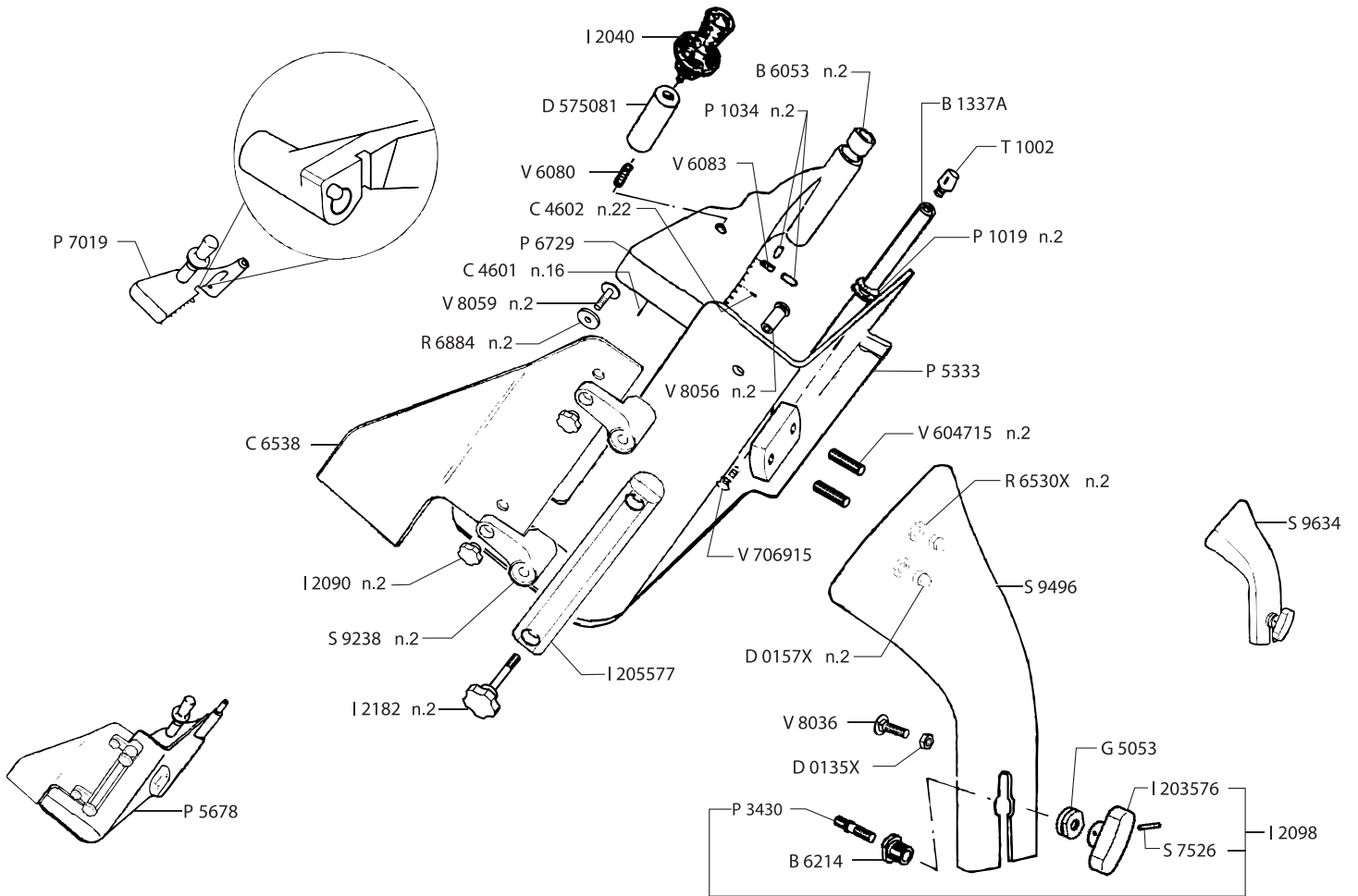
Parts Breakdown

Model MS-IT-0330-N 39477



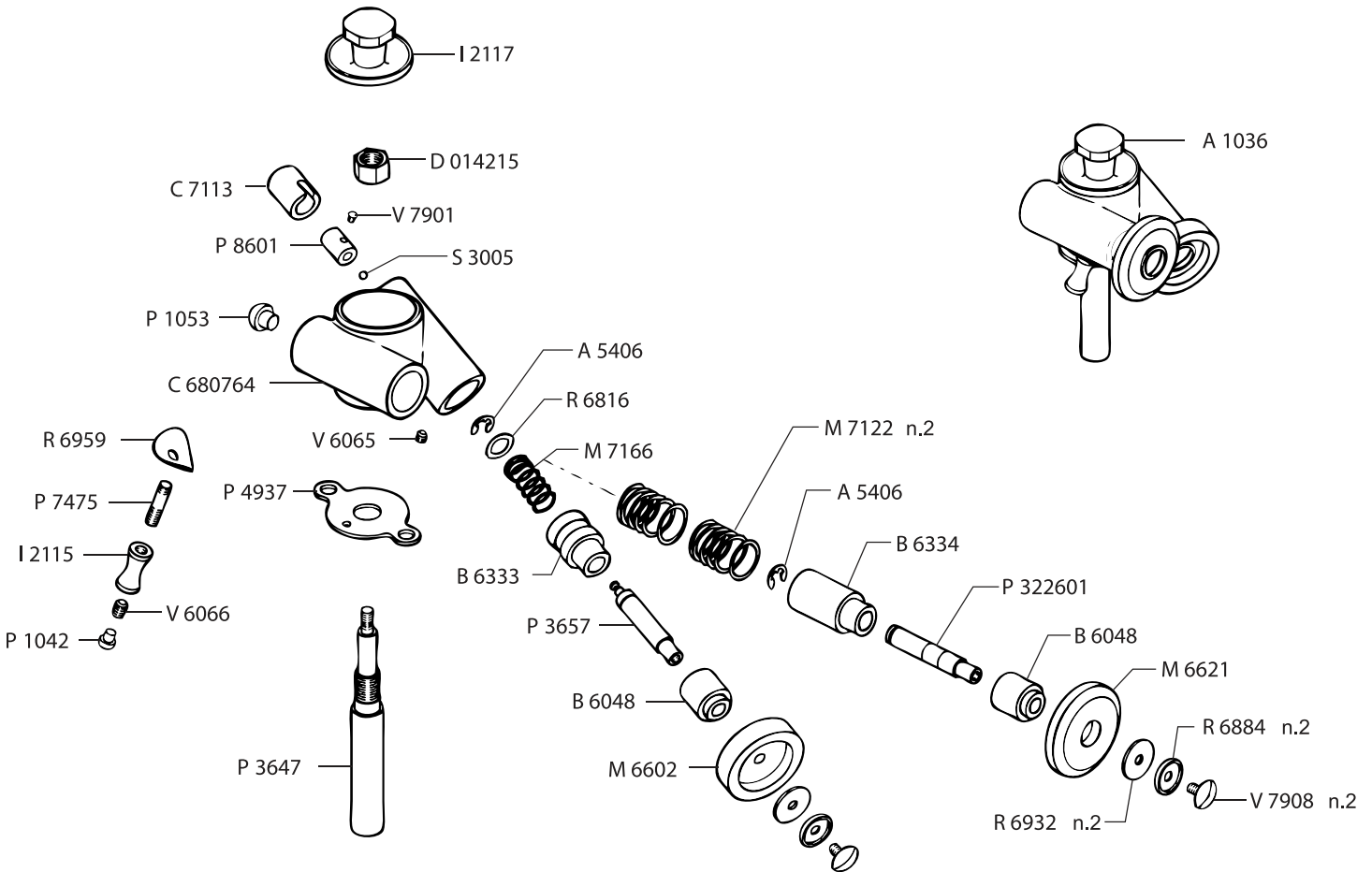
Parts Breakdown

Model MS-IT-0330-N 39477



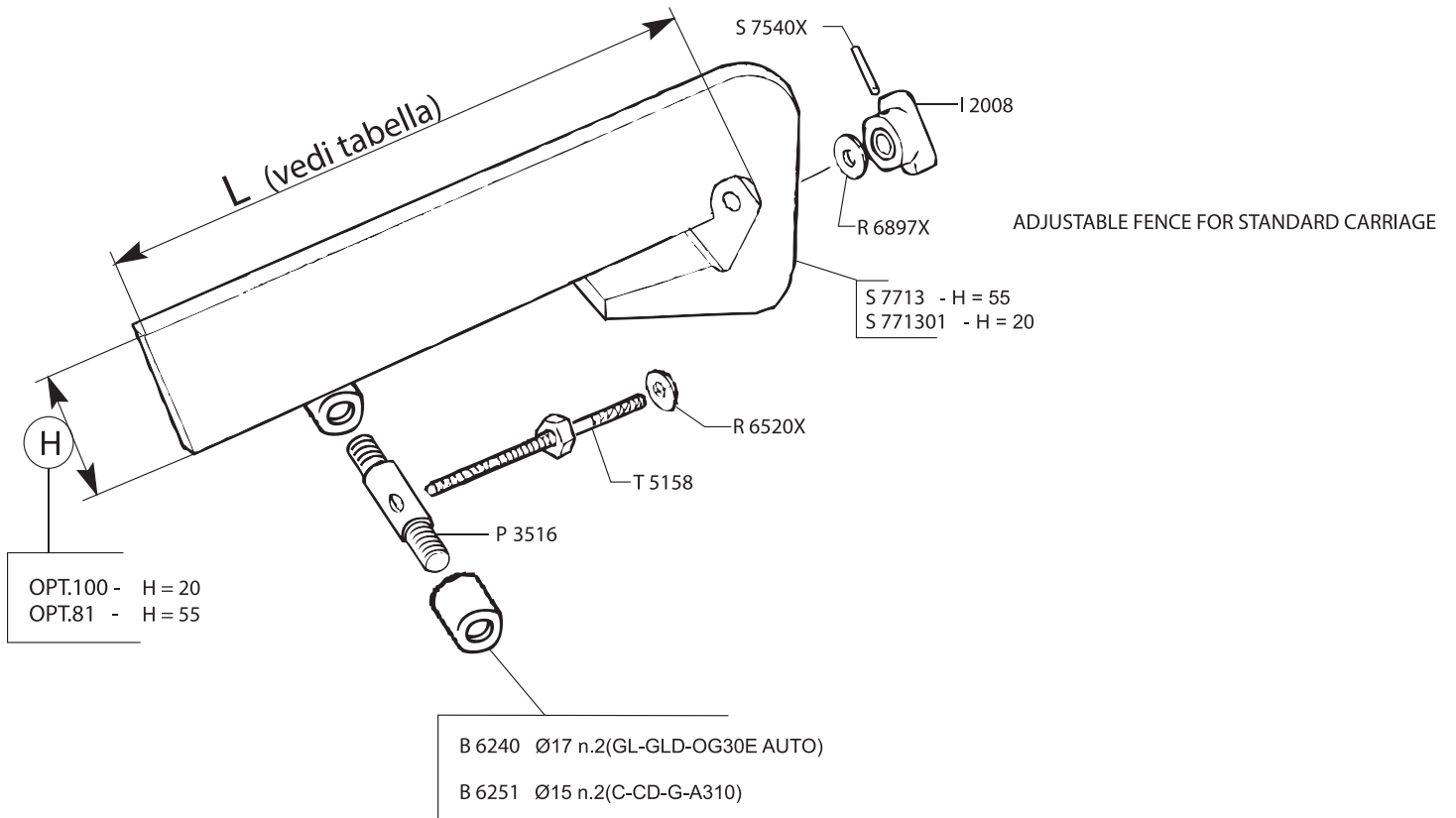
Parts Breakdown

Model MS-IT-0330-N 39477



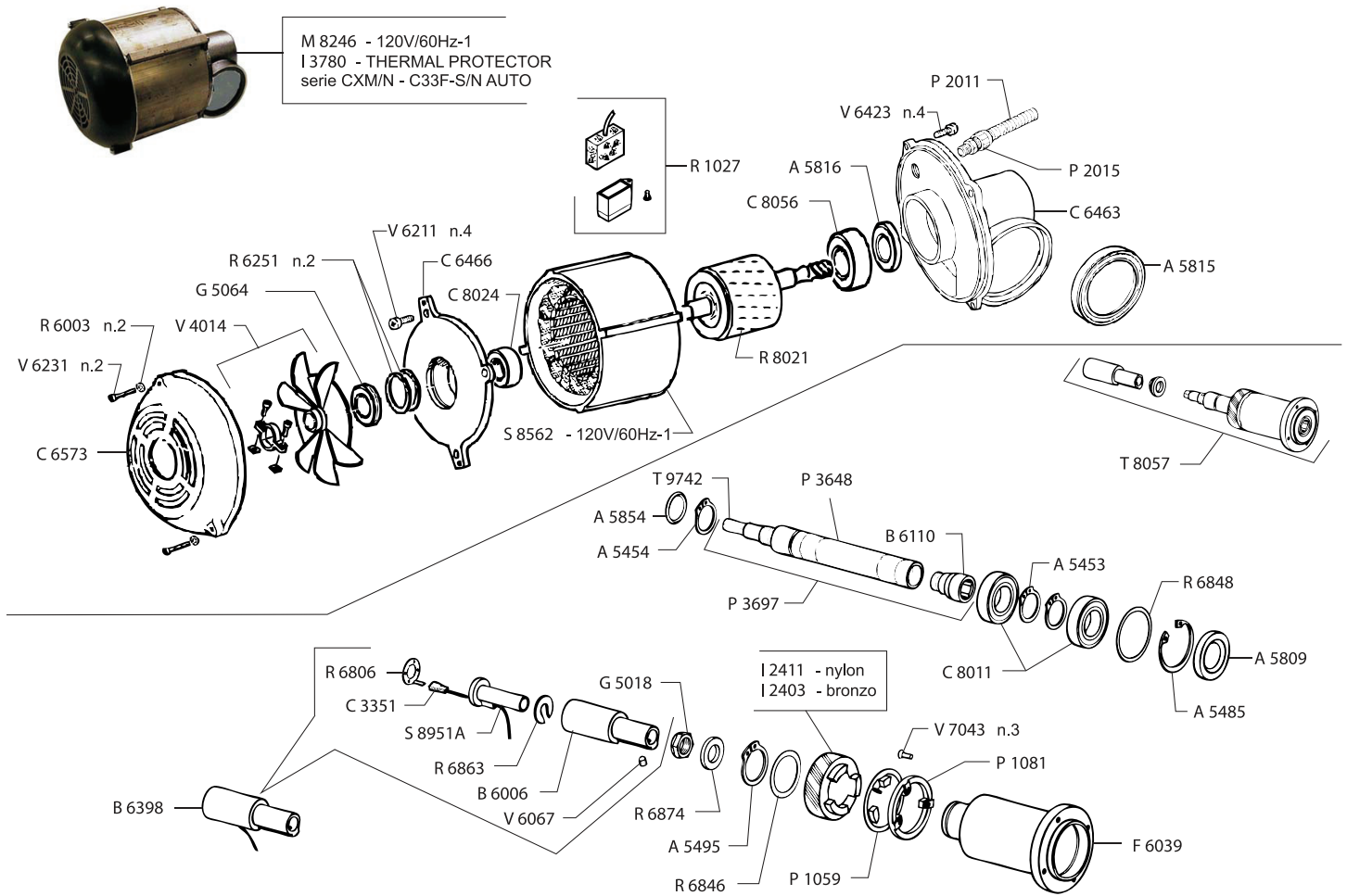
Parts Breakdown

Model MS-IT-0330-N 39477



Parts Breakdown

Model MS-IT-0330-N 39477



Parts Breakdown

Model MS-IT-0330-N 39477

Item No.	Description	Position	Item No.	Description	Position	Item No.	Description	Position
36535	Assy Sharpener for 39477	A1036	18648	Bushing for 39477	B6212	36623	Foot Cover for 39477	C6682
36536	Ring EL.Benzing 6 Stainless Steel for 39477	A5404X	36563	Carriage Bushing for 39477	B6213	78291	Body Rear Cover for 39477	C6779
16902	Ring EL.Benzing 8 for 39477	A5406	36564	Bushing for Carriage Support lg.23mm for 39477	B6214	36624	Carriage Side Cover for 39477	C6781
19606	Ring 17 for 39477	A5446	36566	Bushing to Hold Carriage Springs for 39477	B6221	64361	Sharpener Body for 39477	C680764
17281	Ring EL.Seeger Ext.25 for 39477	A5453	36569	Fixing Lever Bushing for 39477	B6239	36628	Switch Cover 16x20 for 39477	C7113
77585	Ring EL.Seeger Est.25 Ser.Heavy for 39477	A5454	64761	Bushing of Opt. 81 Fence Pin for 39477	B6240	36629	Bearing 2Z-6003 17x35x10 for 39477	C8006
36541	Ring EL.Seeger Int.35 for 39477	A5470	36570	Bushing DU 16x18x20 for 39477	B6246	17334	Bearing 2Z-6205 25x52x15 for 39477	C8011
19484	Ring 52 for 39477	A5485	Al233	Bushing for Fence (Opt.81) Pin for 39477	B6251	16925	Bearing 2RS-6204 20x47x14 for 39477	C8024
19612	Ring 33 for 39477	A5495	36572	Locking Bushing for 39477	B6255	36630	Bearing 5x16x6.5 for 39477	C8035
17283	Oil Seal 25x52x10 for 39477	A5809	36574	Bushing for 39477	B6333	36631	Bearing 2RS-6205 25x52x15 for 39477	C8056
17285	Oil Seal 60x75x8 for 39477	A5815	36575	Bushing for 39477	B6334	16926	Bearing 2RS-6000 (10x26x8) for 39477	C8067
19493	Oil Seal 25x47x07 for 39477	A5816	36576	Bushing DU 28x32x25 for 39477	B6335	19637	Nut M3 for 39477	D0101
17288	O-Ring 3081 20.24x2.62 for 39477	A5854	78677	Bushing Fastener Guard Knife for 39477	B6398	19639	Nut M8 for 39477	D0135
77603	O-Ring 2037 9.25x1.78 for 39477	A5861	36584	All Sharpener Cover for 39477	C1637	36637	Nut U5589 M8 Stainless Steel for 39477	D0135X
77604	O-Ring 2056 14x1.78 for 39477	A5862	36591	Carriage Support for 39477	C185404	77508	Stainless Steel Nut U5588 M12 for 39477	D014215
65609	Sealing Ring Shaft for 39477	A594601	Al234	Assembled Carriage for 39477	C1908	66365	Domed Nut Din 917 M8 Stainless Steel for 39477	D014515
17290	Carriage Bar for 39477	B1010A	62343	Cavo Ass. Motor Lama (120/60) for 39477	C3263	36640	Domed Nut U5721 M6 Stainless Steel for 39477	D0153X
60431	Complete Carriage Rail Assembly for 39477	B1080	62344	Cavo Ass. Motor Carr (120/60) for 39477	C3264	19642	Nut M8 for 39477	D0155X
36549	Shock Absorber Rod 12x185 for 39477	B1252	62345	Cavo Ass. Alim.Scheda (120/60) for 39477	C3265	36642	Locking Nut for 39477	D0156
19499	Carriage Rod for 39477	B1284	65610	Cord 0.5 LG.750 Coverblade Microswitch for 39477	C3351	19643	Nut M10 for 39477	D0157X
19501	Meat Grip Rod A310 & C for 39477	B1337A	62346	Bracket for 39477	C3654	36643	Nut U5588 M5 for 39477	D0160
60430	Carriage Shaft for 39477	B1705	17316	Pin 8.5mm for 39477	C4601	36644	U5588 M5 Stainless Steel Nut for 39477	D016015
78292	Body Housing for 39477	B1871	17317	Pin.11 for 39477	C4602	65613	Stainless Steel Nut U5588 M4 for 39477	D016115
36555	Belt Bracket for 39477	B5032	36601	Rivet 1.9x5 for 39477	C4640	19644	Nut M6 for 39477	D0163
19510	Hangover Bracket for 39477	B5033	36604	Belt D.420 L100 for 39477	C4817	36647	Nut U5588 M8 for 39477	D0165
62341	Block Pivot Cerniera for 39477	B5096	36605	Belt V.360x10 for 39477	C4824	36648	Nut U5588 M8 for 39477	D0165X
62342	Belt Bracket Assy for 39477	B5195	36607	Blade Cover Bolt Keeper 14x14 M for 39477	C5007	19645	Nut M10 for 39477	D0167
17298	Bushing Fastener C for 39477	B6006	62347	Capacitor 35MF 450V UL for 39477	C5833	36653	Spacer for 39477	D5413
19618	Bushing 8x10x8 for 39477	B6009	78266	Front Motor Cover for 39477	C6463	36654	Spacer per Registro M10 p.1x33 for 39477	D5457
36557	Bushing DU 25x28x30 for 39477	B6021	36615	Back Motor Cover for 39477	C6466	65614	Spacer Fixing Sharpener Cover for 39477	D5472
16904	Bushing Sharpener for 39477	B6048	36616	Transparent Cover for Carr. Plate for 39477	C6538	Al235	Spacer Ø8x25x35 Foot for 39477	D5492
16905	Bushing DU 16x18x15 for 39477	B6053	36617	Motor Fan Cover for 39477	C6573	36656	Motor Spacer for 39477	D5640
19630	Bushing Fastener for 39477	B6104B	36618	Motor Cover for 39477	C6577	36658	EL.Box Spacer for 39477	D5715
78265	Bushing Funnel for 39477	B6110	36619	Belt Cover for 39477	C6583	36659	Hand Grip-Knob Spacer for 39477	D575081

Parts Breakdown

Model MS-IT-0330-N 39477

Item No.	Description	Position	Item No.	Description	Position	Item No.	Description	Position
36661	Carriage Shock Absorber Spacer for 39477	D5762	17369	Switch 4x20 for 39477	I3647	77617	Strain Relief for 39477	P2009
36665	Locknut Spacer for 39477	D577018	79578	Blade 330 57x4x286 for 39477	L0632	60421	Electrical Conduit for 39477	P2011
36670	Sharpener Support Spacer for 39477	D5777	65626	Assy Lift Lever for 39477	L2498	36778	Wire-Press for 39477	P2014
36671	Unhook Spring Spacer for 39477	D5806	36732	Magnet 6x20 for 39477	M0802	36779	Core-Hitch+Nut for 39477	P2015
36675	Cam Carriage for 39477	E1409A	36735	Magnet 10x12x48 for 39477	M0810	36780	Wire Pusher for 39477	P2017
17345	Cam Bearing 13655 for 39477	E1458	14787	Grinding Sharpening Stone 48x15x14.3 for 39477	M6602	17419	Pin Truing for 39477	P322601
79267	Cam Eccentric Stroke mm.16 for 39477	E1489	21644	F Stone 51x7x14.3 for 39477	M6621	36786	Front Pulley Pin for 39477	P3302A
62348	Feltro Carrello Bop Bianco (87x70x2) for 39477	F1615	36743	Spring 9.9x0.7x7 Stainless Steel for 39477	M7016	36787	Pin. Rear Pulley for 39477	P3303A
36682	Unhook Friction Clasp 12x22x8 for 39477	F3015	36744	Spring 10.5x1x19 Stainless Steel for 39477	M7023	36793	Pin.Handle for 39477	P3430
77591	Suppor Blade Flange for 39477	F6039	19776	Spring 14x1.5x60 for 39477	M7032	36794	Carr. Plate Lock Pivot for 39477	P3440
65619	Flange X Index Knob for 39477	F6088	19782	Spring 19.5x1.5x16.7 for 39477	M7050	A1236	Perno Bloccaggio Spondina Opt.81 for 39477	P3516
17351	Locknut for 39477	G5018	19250	Spring 24.8x1.8x15 for 39477	M7071	65628	Pivot Sharpener for 39477	P3647
36689	Stainless Steel Locknut M8 for 39477	G5027	36746	Spring 7x0.8x23 Cam for 39477	M7076	79272	Knife Shaft for 39477	P3648
36691	Ring for Bushing for 39477	G5053	19248	Spring 15.6x20x2.2 for 39477	M7120	36805	Pivot for Grinding Stone for 39477	P3657
36692	Ring for Cam for 39477	G5054	36749	Carriage Bar Spring 25-28-1.5 for 39477	M7121	77594	Assy Driving Pivot per T8093 for 39477	P3697
36695	Ring Support Cap for 39477	G5055	36750	18.5x20.9x1.2 Bar Carriage Spring for 39477	M7122	19831	Gauge Plate Flat Bar for 39477	P4621
36697	Logging Lock Nut for 39477	G5064	78283	Screw for 39477	M7132	36830	Flat Bar C for 39477	P4765
36698	Index Ring M10 p.1 h.17 for 39477	G5084	36751	Spring for 39477	M7166	36834	Index Casting for 39477	P4860
17353	Complete Start/Stop Switch with Control Board for 39477	I1683	36754	Terminal Block AL17/1W for 39477	M8051	65631	Plastic Body Sharpener for 39477	P4937
17354	Handle T210 for 39477	I1910	62353	Terminal Block 3P AL18-10 for 39477	M8054	17438	Foot for 39477	P5030
17356	Fastener Handle for 39477	I1926	20263	Motor 120V/60Hz-1 for 39477	M8246	65632	Sliding Bearing Flat for 39477	P5102
69989	Handle of Knife Protection Fastener for 39477	I2008	62354	Motor 120x60 Carriage for 39477	M8260	A1237	Hinge Support Flat for 39477	P5113
18220	Knob-Handling for 39477	I203576	19791	Oiler Oil Cap with Screw for 39477	O4040	65634	Plate for Hinge for 39477	P5114
17363	End Grip Handle for 39477	I2040	17388	R.Shock Absorb. 12x19x2 for 39477	P1012	65635	Carriage Product Tray for 39477	P5333
65620	Handle 28x170 Carriage Tray NSF for 39477	I205577	17390	Rubber Shock ABS. 16x22x2.5 for 39477	P1019	65636	Assy Carriage Tray for 39477	P5678
36714	Blade Cover Handling for 39477	I2058	36760	Pin Tray Shock-Absorber for 39477	P1025	78235	End Grip for 39477	P6729
63463	Transparent Cover Knob Screw for 39477	I2090	17392	PL.Shock Absorb. 8.5x20 for 39477	P1034	79637	End Grip for 39477	P7019
36717	Knob Assy for 39477	I2098	36761	Shock Absorber for 39477	P103401	36851	Stud Handle for 39477	P7404
23632	Screw for 39477	I2103	19797	Nylon Shock 8.5x8 for 39477	P1042	65637	Special Screw M6x25 x Knob for 39477	P7475
65621	Knob Ø12x25 M6 for 39477	I2115	36762	Rubber Plug for 39477	P1053	65638	Special Screw Captive M8x44 for 39477	P7478
65622	Sharpener Body Knob for 39477	I2117	16955	Shock Absorber for 39477	P1059	36855	PBC Insulating Protection for 39477	P7925
65623	Handle Assembly NSF for 39477	I2182	17395	Shock Absorber for 39477	P1081	36857	Protection Superiore Lama for 39477	P7969
65624	Impugn.Graduata Ass. for 39477	I2184	36763	Slice Deflector for 39477	P1147	36858	Reduction Pulley for 39477	P8006
62453	Nylon Gear for 39477	I2403	36773	Ring Guard for 39477	P1666	36859	Motor Pulley for 39477	P8008
62350	Bushing Glide Dia 8x8 for 39477	I3065	68152	Knife Cover for 39477	P1686	17448	Sharpener Pusher for 39477	P8601
62351	Bushing Glide Pin Dia 8x38 for 39477	I3082	36774	Strain Relief for 39477	P2001	78282	Lock Washer for 39477	P8620
17368	Hall Effect Switch 2P for 39477	I3646	17415	Strain Relief for 39477	P2008	78284	Bracket for 39477	P8626



Parts Breakdown

Model MS-IT-0330-N 39477

Item No.	Description	Position	Item No.	Description	Position	Item No.	Description	Position
65640	Oil Receiver for 39477	R1027	36915	Pin Stainless Steel D.6x28 for 39477	S7516	AI242	Cap PG7 for 39477	T1030
36873	Resistor 50W 22 OHM for 39477	R4002	19682	Pin 8x70 for 39477	S7523	19883	Label Oil for 39477	T1690
19656	Potentiometer for 39477	R4031	36920	Pin 4x25 for 39477	S7526	78276	Switch Overlay (CE) for 39477	T1763
19657	Washer 4 for 39477	R6003	36921	Stainless Steel 4x7 Pin M.C for 39477	S7527	65649	Blade Cover Fastener M8x312 for 39477	T5146
36877	Washer 8.2x16x0.9 for 39477	R6207	36922	Pin M.E.U6875 5x36 for 39477	S7539	68808	Handle Tie Rod for 39477	T5158
78258	Washer 30.5x46.5x0.6 for 39477	R6251	36923	Stainless Steel Pin 3x25 for 39477	S7540X	44014	Knife Cover Tie Rod (Release Knob) for 39477	T5182
19666	Washer for 39477	R6280	36927	Pin M.I.S1 D1471 6x20 for 39477	S7568	36999	Riding Pin (Diam.28) for 39477	T8538
36880	Washer U6592 3 for 39477	R6504	36930	Pin M.E.U6873 3x22 for 39477	S7612	79283	Shaft Pin for 39477	T9742
17456	Washer U6592 5 for 39477	R6508	36931	Pin 8x50 for 39477	S7669	65650	Aluminum Gauge-Plate for 39477	V313605
36882	Washer U6592 5 Stainless Steel for 39477	R6508X	AI238	Reg. Fence H=55 ON BN Opt.81 for 39477	S7713	19911	Fan for 39477	V4011
16967	Washer U65926 for 39477	R6512	AI239	Spondina Regolabile H=20 Opt.100 for 39477	S771301	37013	Motor Fan MEC80 148x16 for 39477	V4014
17457	Washer U6592 6 Stainless Steel for 39477	R6512X	19870	Stator 120/60 for 39477	S8562	37014	STEI Screw 6x20 for 39477	V6001
36884	Washer U6592 8 Stainless Steel for 39477	R6520X	36945	Carriage Pulley Bracket for 39477	S8907	37016	Screw STTC U6113 M4x25 for 39477	V6008
36885	Washer U6592 10 Stainless Steel for 39477	R6530X	36946	Bracket for 39477	S8910	37018	Screw STTC U6113 M6x6 for 39477	V6010
17458	Contact Washer for 39477	R6806	78236	Bracket Washer C for 39477	S8951A	26127	Stud C Model for 39477	V602115
36889	Washer 10.5x16x1 for 39477	R6816	36959	Bracket Magnet for 39477	S9112	37020	Screw M5x8 U5923 for 39477	V6028
16969	Washer 18.2x25x0.5 for 39477	R6840	36960	Switch Bracket for 39477	S9113	AI243	Stainless Steel Screw STEI U5923 M8x50 for 39477	V604315
17460	Washer 34.2x46x0.5 for 39477	R6846	65644	Bracket Support for 39477	S919201	65652	Vite STEI U5923 M10x40 INOX for 39477	V604715
19674	Washer 44.5x51.5x0.2 for 39477	R6848	36974	Carriage Plexi Support for 39477	S9238	37023	Screw STEI U5929 M5x5 for 39477	V6065
77540	Washer 6.2x14x0.6 for 39477	R6854	17353	Complete Start/Stop Switch with Control Board for 39477	S9265	19691	Grub Screw M6x6 for 39477	V6066
19675	Washer C for 39477	R6863	78285	Fan Support for 39477	S9315	19692	Screw M6x8 for 39477	V6067
36892	Washer 17x30x4 for 39477	R6874	36976	Support for 39477	S9402	37025	Screw STEI U5929 M6x8 for 39477	V6067X
16972	Washer 5.5x19x2.5 for 39477	R6884	36977	Sharpener Support for 39477	S9448	19695	Screw M10x30 for 39477	V6080
36893	Stainless Steel Special Washer 8.5x24x2 for 39477	R6897X	36978	Support Bracker for 39477	S9451	37030	Screw M12x16 U5927 for 39477	V6081
36897	Special Washer 5.5x22x1.5 for 39477	R6932	65645	Holder Blade Guard for 39477	S9452	37031	Screw STEI U5929 M8x16 for 39477	V6083
65641	Special Washer x Sharpener 6x25x1 for 39477	R6959	AI240	Bracket for 39477	S9486	37033	Screw TC U6107 M4x8 for 39477	V6206
61390	Thickness Dial Plate for 39477	R6966	65646	Bracket Tray NSF for 39477	S9496	37034	Stainless Steel Screw M8x4 U5931 for 39477	V620615
78261	Rotor Stator H.50 for 39477	R8021	65647	Assy Carriage Tray Holder NSF for 39477	S9634	19697	Screw M5x16 for 39477	V6211
36901	Plastic Box-Housing for 39477	S101875	AI241	Bracket Block Assy for 39477	S9695	19699	Screw M4x25 for 39477	V6231
19680	Ball 3 17 for 39477	S3005	19878	Rubber Cap for 39477	T1002	19700	Screw M6x16 for 39477	V6240
17465	Ball 4.76 for 39477	S3015	36982	Heyco Cap SP-468 Diam.12 for 39477	T1022	19702	Screw M6x25 for 39477	V6246
17353	Complete Start/Stop Switch with Control Board for 39477	S3234	36983	Rubber Cap Diam. 13.5 for 39477	T1023	37039	Screw TCEI U5931 M6x25 INOX for 39477	V6246X
19178	Printed Circuit Board (120V) for 39477	S3262	60774	Bushing for 39477	T1025	37041	Stainless Steel Screw M8x20 for 39477	V625315
36908	Track for 39477	S3815	78273	Rubber Cap Diam. 16 for 39477	T1027	37042	Screw TCEI U5931 M8x25 for 39477	V6254

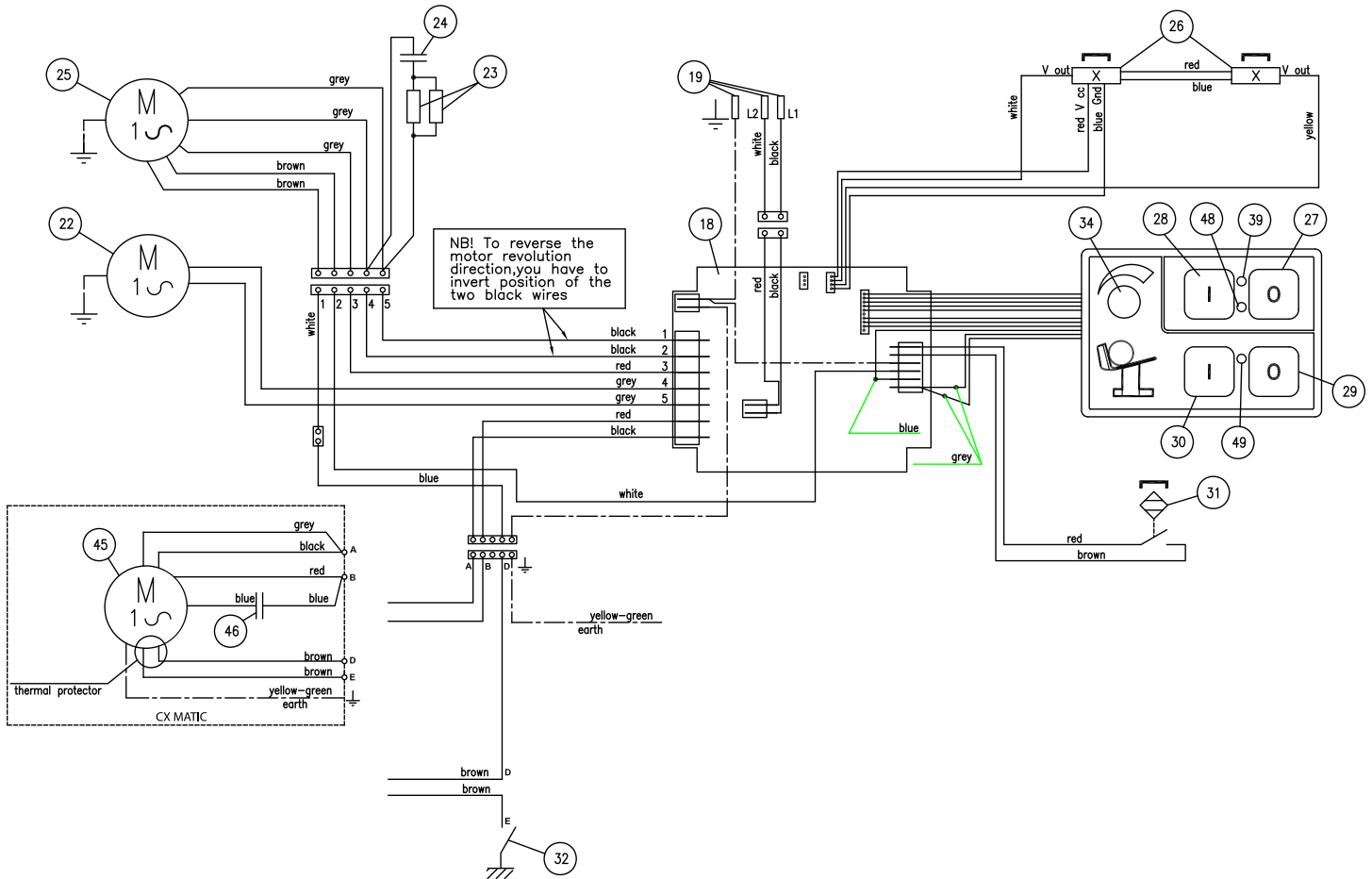
Parts Breakdown

Model MS-IT-0330-N 39477

Item No.	Description	Position	Item No.	Description	Position	Item No.	Description	Position
37044	Stainless Steel Screw M8x60 U5931 for 39477	V625815	37072	Screw TE U5739 M8x20 Stainless Steel for 39477	V6460X	19917	Screw BS for 39477	V7960
19706	Screw for 39477	V6278	37073	Screw TE U5739 M8x25 Stainless Steel for 39477	V6461X	37100	Carriage Screw for 39477	V8017
37048	Screw TCTC Aut.D7981 3.5x9.5 for 39477	V6279	37075	Screw TE U5739 M8x60 for 39477	V6466	16987	Special Screw M6x15 for 39477	V8020
37050	Screw TC AUT.D7971 4.2x9 for 39477	V6285	37077	Screw TSP U6109 M4x6 INOX for 39477	V700615	37102	Screw M6x20 for 39477	V8035
37052	Screw TC AUT.U6951 4.2x16 for 39477	V6291	17497	Screw TSP U6109 M5x15 Stainless Steel for 39477	V7014X	19920	Screw M8x30 for 39477	V8036
37053	Screw Aut. U6954 3.9x25 for 39477	V6293	78275	Screw TSPU6109 M3x6 for 39477	V7023	37104	Threaded Stud for 39477	V8042
37055	Stainless Steel Screw M5x8 U5931 for 39477	V634015	17498	Screw TSPEI U5933 M4x10 for 39477	V7043	AI244	Special Screw for 39477	V804501
77630	Stainless Steel Screw TCEI U5931 M4x12 for 39477	V634415	37085	Screw 8x25 for 39477	V705616	37106	Stainless Steel Switch Screw M5x10 for 39477	V8048
37056	Stainless Steel Screw M6x12 U5931 for 39477	V634515	65654	Stainless Steel Screw U6110 M10x30 for 39477	V706915	37107	Stainless Steel Screw M6x30 for 39477	V8052
65653	Stainless Steel Screw TE U5739 M6x12 for 39477	V6414X	37086	Stainless Steel Screw M8x20 U5933 for 39477	V7070X	37108	Special Fixed End Screw M6x17 for 39477	V8056
37064	Screw TE U5739 M10x35 for 39477	V6415X	17502	Screw M3x5.5 for 39477	V7901	19726	Screw M5x21 for 39477	V8059
37066	Screw TE U5737 M6x15 for 39477	V6421	17503	Screw M5x13 for 39477	V7908	37113	Screw for Carriage Index M8x25 for 39477	V8099
37067	Screw TE U5739 M5x20 for 39477	V6423	19717	Screw M6x50 for 39477	V7917	65884	Sliding Bar Screw M14 P.1x13 CH17 for 39477	V8115
37071	Screw TE U5739 M6x10 Stainless Steel for 39477	V6450X	19720	Screw M6 for 39477	V7934	37114	Stainless Steel Screw M6x25 for 39477	V8130

Electrical Schematics

Model MS-IT-0330-N 39477



Position	Description	Position	Description	Position	Description
18	Printed Circuit Board	27	Blade Stop Push Button	39	LED Power Supply
19	Power Cord	28	Blade Start Push Button	45	Blade Motor
22	Fan	29	Carriage Stop Push Button	46	Capacitor 20uF
23	Resistance 50W	30	Carriage Start Push Button	48	LED Blade Start
24	Capacitor 35uF	31	Carriage Microswitch	49	LED Product Holder Start
25	Carriage Motor	32	Blade Cover Contact		
26	Hall Effect Switch	34	Carriage Stroke Adjustment		

Notes



Warranty Registration

Thank you for purchasing an Omcan product. To register your warranty for this product, complete the information below, tear off the card at the perforation and then send to the address specified below. You can also register online by visiting:

Merci d'avoir acheté un produit Omcan. Pour enregistrer votre garantie pour ce produit, complétez les informations ci-dessous, détachez la carte au niveau de la perforation, puis l'envoyer à l'adresse spécifiée ci-dessous. Vous pouvez également vous inscrire en ligne en visitant:

Gracias por comprar un producto Omcan usted. Para registrar su garantía para este producto, complete la información a continuación, cortar la tarjeta en la perforación y luego enviarlo a la dirección indicada a continuación. También puede registrarse en línea en:

<https://omcan.com/warranty-registration/>

For mailing in Canada

Pour postale au Canada

Por correo en Canadá

OMCAN

PRODUCT WARRANTY REGISTRATION

3115 Pepper Mill Court,

Mississauga, Ontario

Canada, L5L 4X5

For mailing in the US

Pour diffusion aux États-Unis

Por correo en los EE.UU.

OMCAN

PRODUCT WARRANTY REGISTRATION

4450 Witmer Industrial Estates, Unit 4,

Niagara Falls, New York

USA, 14305

or email to: service@omcan.com



Purchaser's Information

Name: _____

Address: _____

City: _____ Province or State: _____ Postal or Zip: _____

Country: _____

Dealer from which Purchased: _____

Dealer City: _____ Dealer Province or State: _____

Invoice: _____

Model Name: _____ Model Number: _____

Machine Description: _____

Date of Purchase (MM/DD/YYYY): _____

Would you like to extend the warranty? Yes No

Company Name: _____

Telephone: _____

Email Address: _____

Type of Company:

Restaurant Bakery Deli

Butcher Supermarket Caterer

Institution (specify): _____

Other (specify): _____

Serial Number: _____

Date of Installation (MM/DD/YYYY): _____

Thank you for choosing Omcan | Merci d'avoir choisi Omcan | Gracias por elegir Omcan



Since 1951 Omcan has grown to become a leading distributor of equipment and supplies to the North American food service industry. Our success over these many years can be attributed to our commitment to strengthen and develop new and existing relationships with our valued customers and manufacturers. Today with partners in North America, Europe, Asia and South America, we continually work to improve and grow the company. We strive to offer customers exceptional value through our qualified local sales and service representatives who provide convenient access to over 5,000 globally sourced products.

Depuis 1951 Omcan a grandi pour devenir un des “leaders” de la distribution des équipements et matériel pour l’industrie des services alimentaires en Amérique du Nord. Notre succès au cours de ces nombreuses années peut être attribué à notre engagement à renforcer et à développer de nouvelles et existantes relations avec nos clients et les fabricants de valeur. Aujourd’hui avec des partenaires en Amérique du Nord, Europe, Asie et Amérique du Sud, nous travaillons continuellement à améliorer et développer l’entreprise. Nous nous efforçons d’offrir à nos clients une valeur exceptionnelle grâce à nos ventes locales qualifiées et des représentants de service qui offrent un accès facile à plus de 5000 produits provenant du monde entier.

Desde 1951 Omcan ha crecido hasta convertirse en un líder en la distribución de equipos y suministros de alimentos en América del Norte industria de servicios. Nuestro éxito en estos años se puede atribuir a nuestro compromiso de fortalecer y desarrollar nuevas relaciones existentes con nuestros valiosos clientes y fabricantes. Hoy con socios de América del Norte, Europa, Asia y América del Sur, que trabajan continuamente para mejorar y crecer la empresa. Nos esforzamos por ofrecer a nuestros clientes valor excepcional a través de nuestro local de ventas y representantes de los servicios que proporcionan un fácil acceso a más de 5,000 productos con origen a nivel mundial.

